

Hand Add Micro Scale



APEC - Automated Process Equipment Corporation



Description

Designed and developed for those manufacturers currently hand weighing multiple ingredients.

3 Levels Of Complexity

Manual Operation

Ingredient container sets on a rolling platform scale. The operator positions the scale beneath the desired ingredient bin and opens the discharge valve. The operator closes the valve once the weight is achieved. Ingredient bins are arranged in a straight line.

Semi-Automatic

A vibratory feeder is used to meter the ingredient from the bin into the container. The ingredient container sets on a rolling platform scale. The operator positions the scale in front of the desired ingredient bin and activates the feeder. The operator closes the valve once the weight is achieved. Ingredient bins can be arranged in a single row or two staggered rows.

Automatic

Same as above only the scale rides on a powered rolling carriage. The scale indexes to the proper position via signals from batch control system. The scale collects the proper ingredients and returns the container to the home position where the operator removes and empties it. Ingredient bins can be arranged in two sets of two staggered rows.

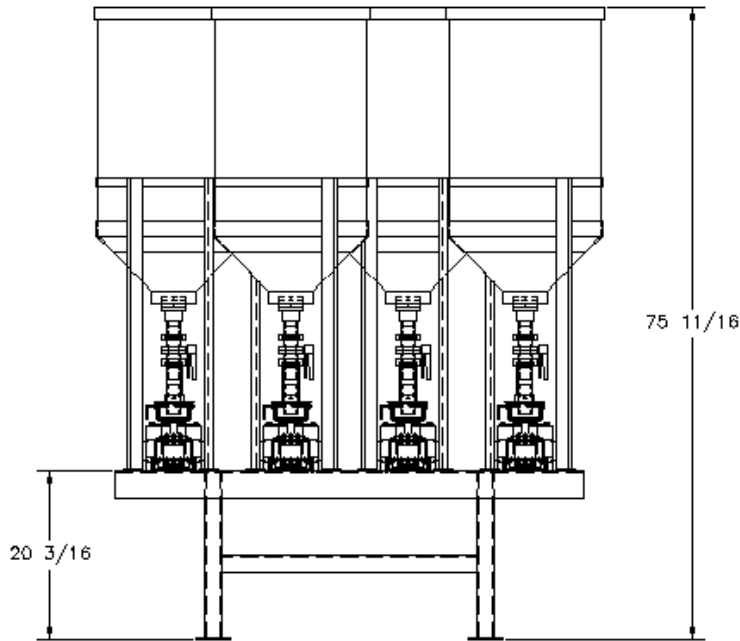
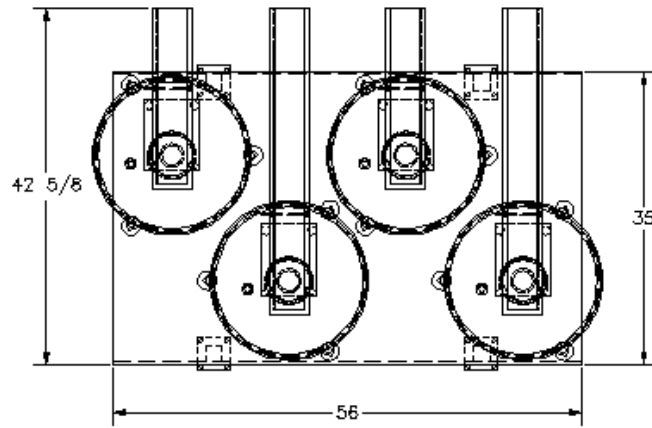


APEC - Automated Process Equipment Corporation

1201 North Fourth Avenue
Lake Odessa, Michigan 48849

Phone: 616-374-1000
Fax: 616-374-1010

Email: sales@apecusa.com
Website: www.apecusa.com



Features

Modular

Tables and bin clusters are identical. Tables complete with wireway and proximity switches.

Expandable

Add a table, extend the track and you have increased your storage by 4 bins per table added.

Plug & Play

Bins slide into the stands, vibratory feeders plug into the wire raceway.

Various Bin Capacities (2 or 4 Cu.Ft.)

2 cu.ft. standard

Available Options

Bar code scanning of ingredient bins

Storage rack for extra ingredient bins allows swapping in and out of bins.

**Contact APEC Today For Your Micro
Ingredient System Needs**

Phone: 616-374-1000

Fax: 616-374-1010

Sales—sales@apecusa.com

<http://www.apecusa.com>

